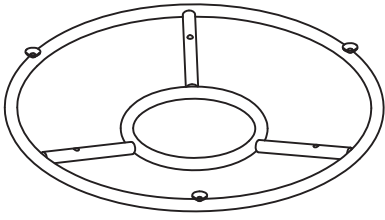


ASSEMBLY INSTRUCTION

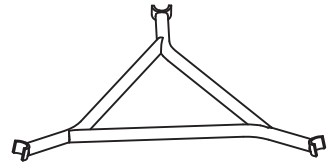
A/1PC



B/3PCS



C/1PC



D/6PCS



M6*30

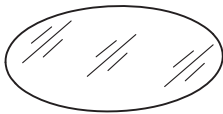
E/6PCS



F/6PCS



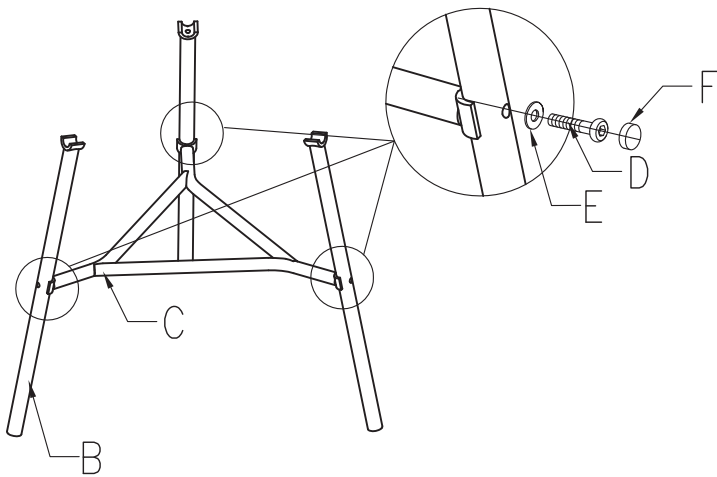
AA/1PC



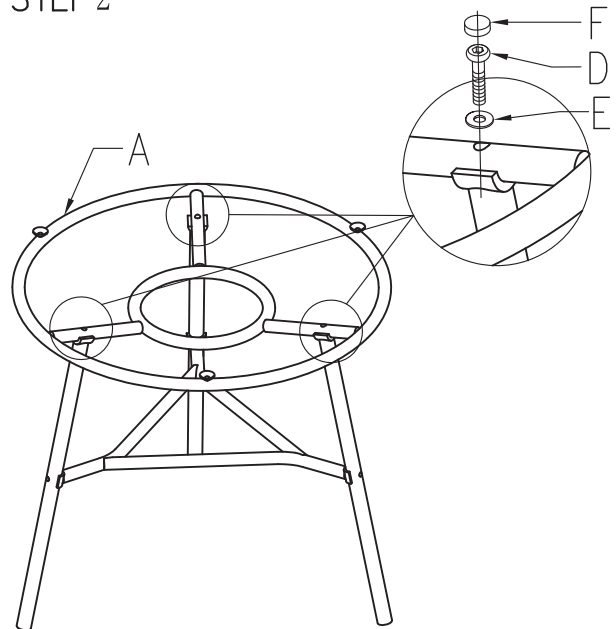
BB/1PC



STEP 1



STEP 2



STEP 3

